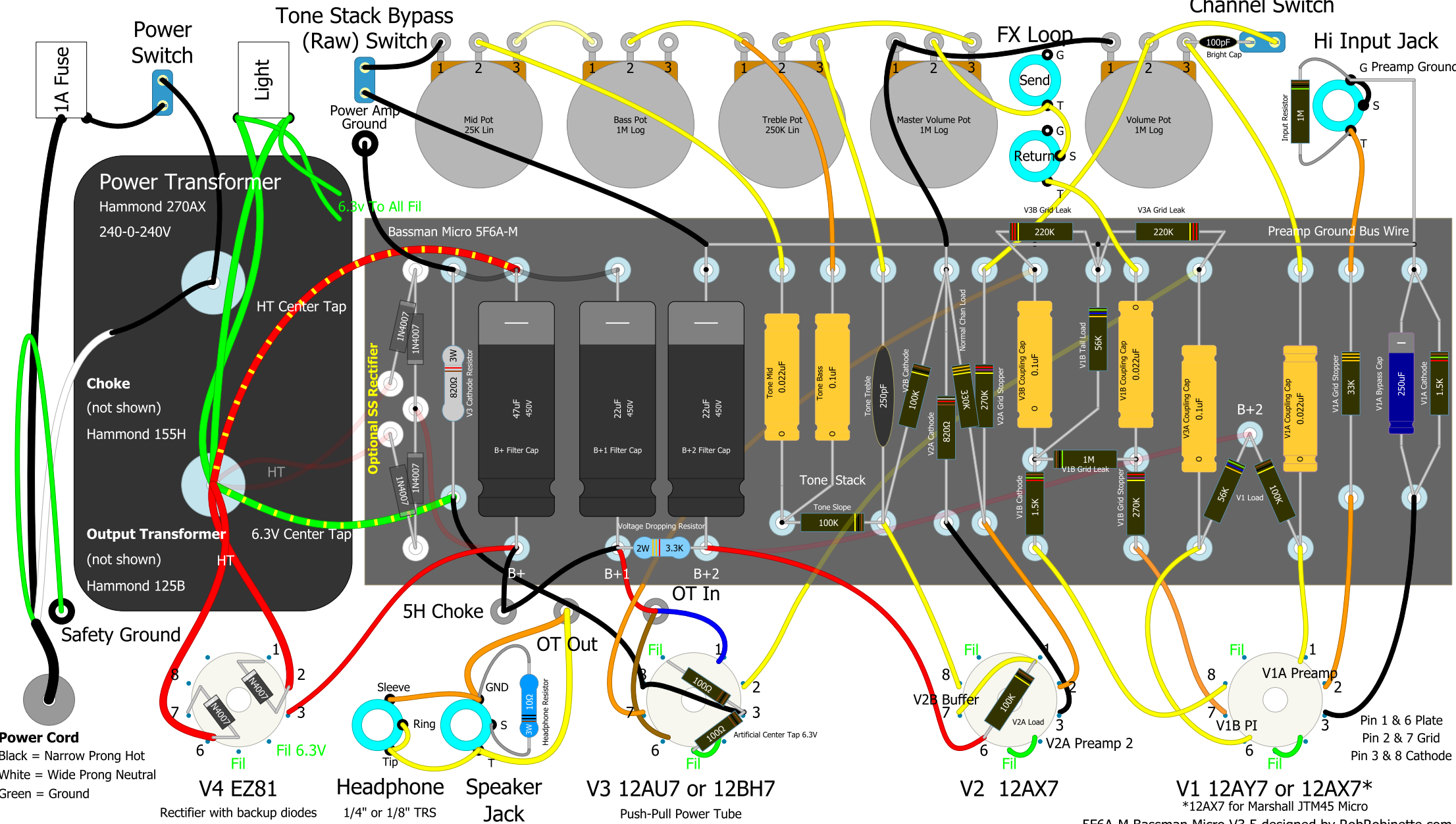


5F6A-M "Bassman Micro" Layout

With Cathodyne
Phase Inverter

Bright/Normal
Channel Switch



Power Cord
Black = Narrow Prong Hot
White = Wide Prong Neutral
Green = Ground

V4 EZ81
Rectifier with backup diodes

Headphone Jack
1/4" or 1/8" TRS

Speaker Jack

V3 12AU7 or 12BH7
Push-Pull Power Tube

V2 12AX7

V1 12AY7 or 12AX7*
*12AX7 for Marshall JTM45 Micro
5F6A-M Bassman Micro V3.5 designed by RobRobinette.com