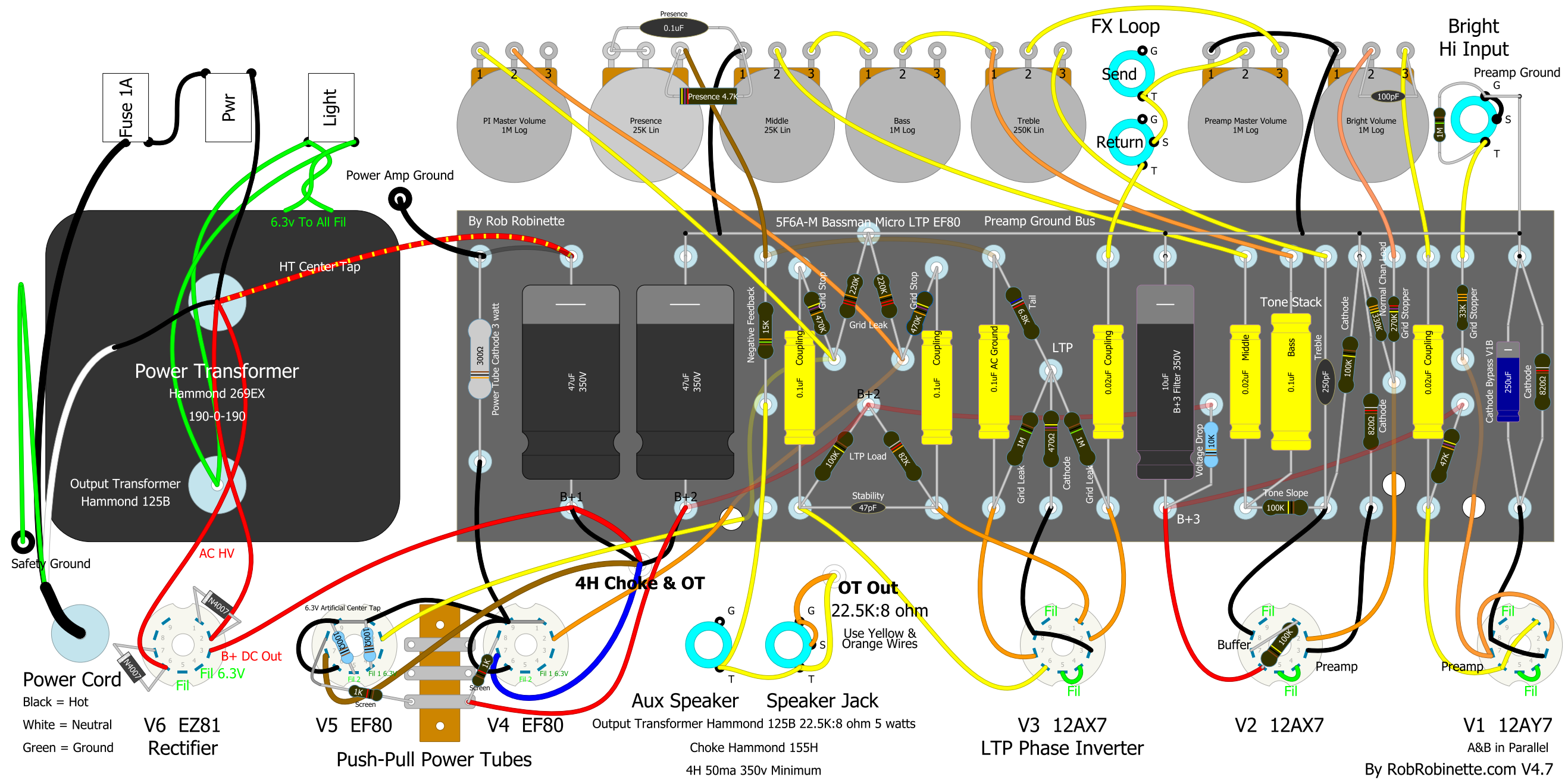


5F6A-EF80 "Bassman Micro LTP EF80" Amplifier



Black = Hot
White = Neutral
Green = Ground

V6 EZ81
Rectifier

V5 EF80
Push-Pull Power Tubes

V4 EF80

Aux Speaker
Speaker Jack
Output Transformer Hammond 125B 22.5K:8 ohm 5 watts
Choke Hammond 155H
4H 50ma 350v Minimum

V3 12AX7
LTP Phase Inverter

V2 12AX7

V1 12AY7
A&B in Parallel